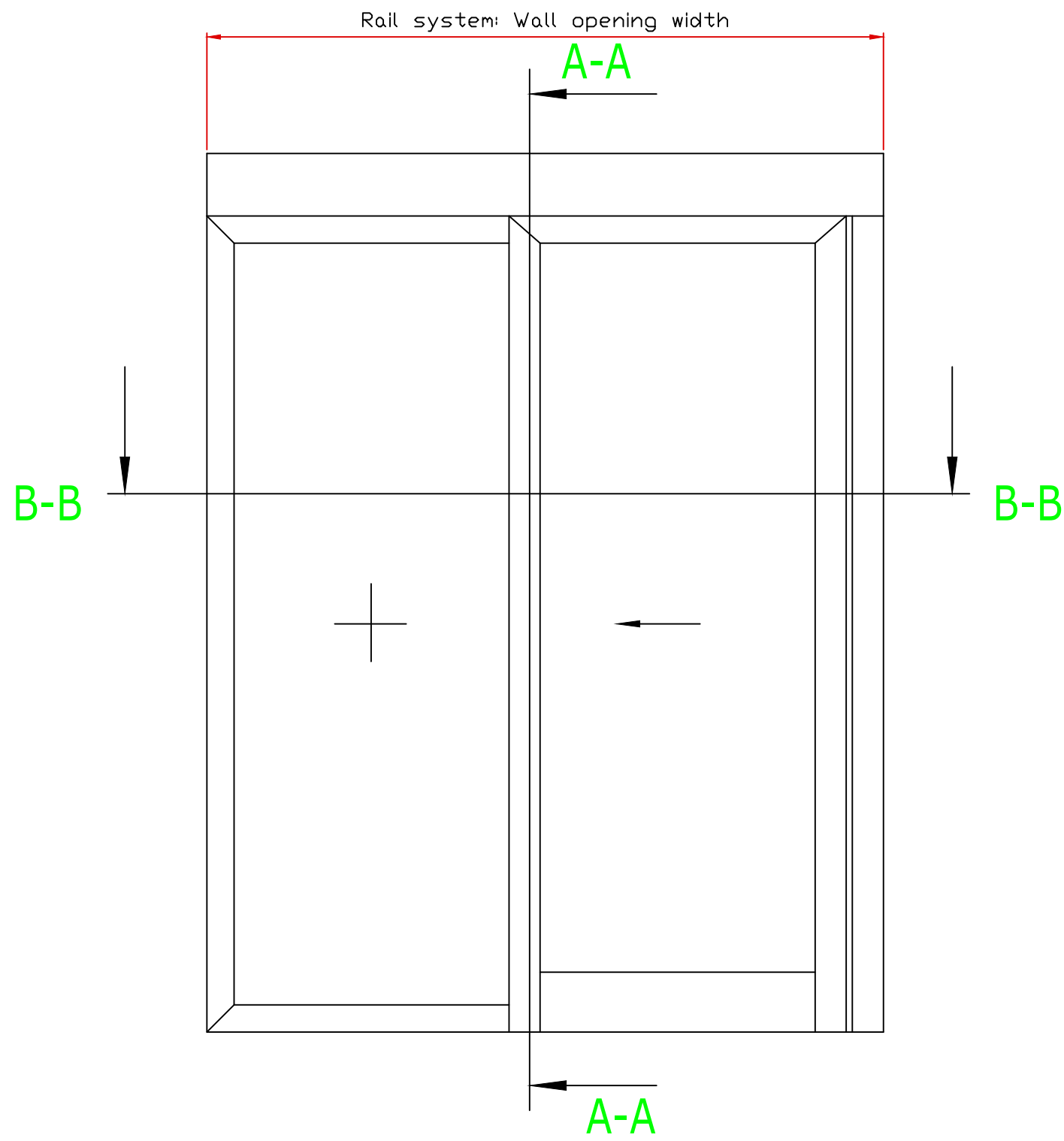
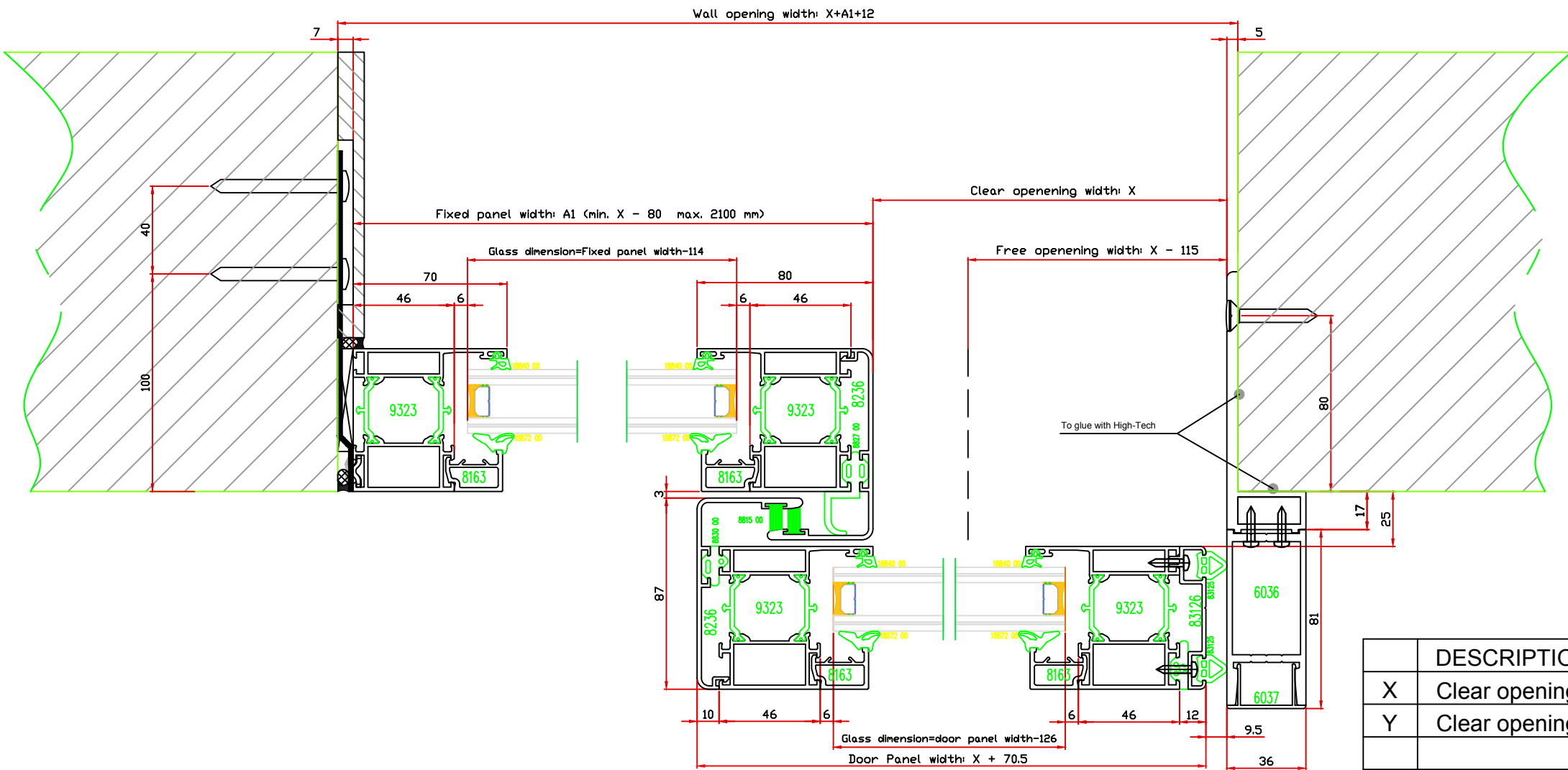


Interieur view

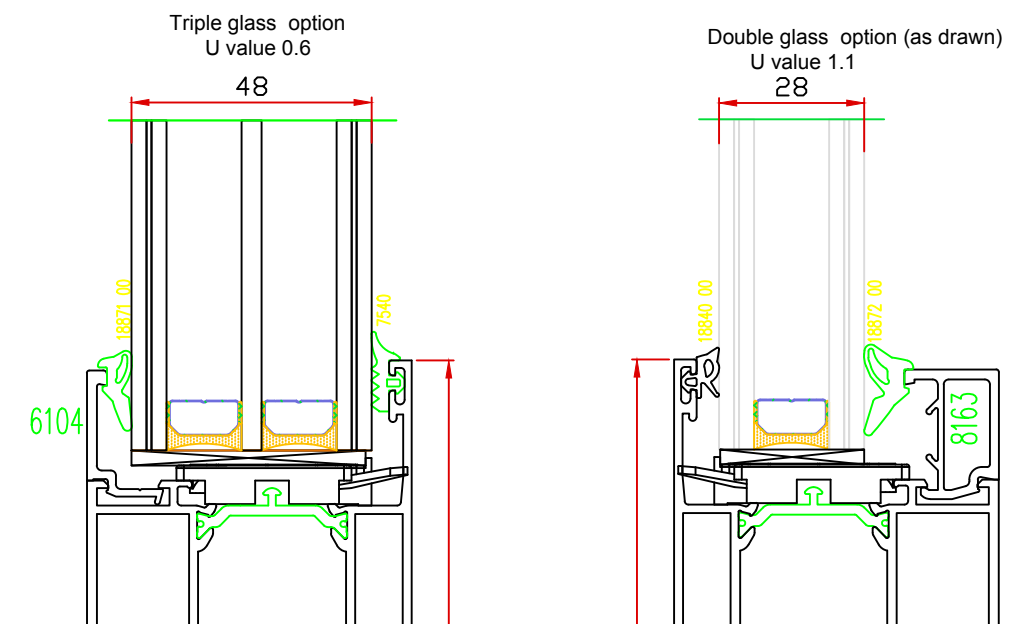
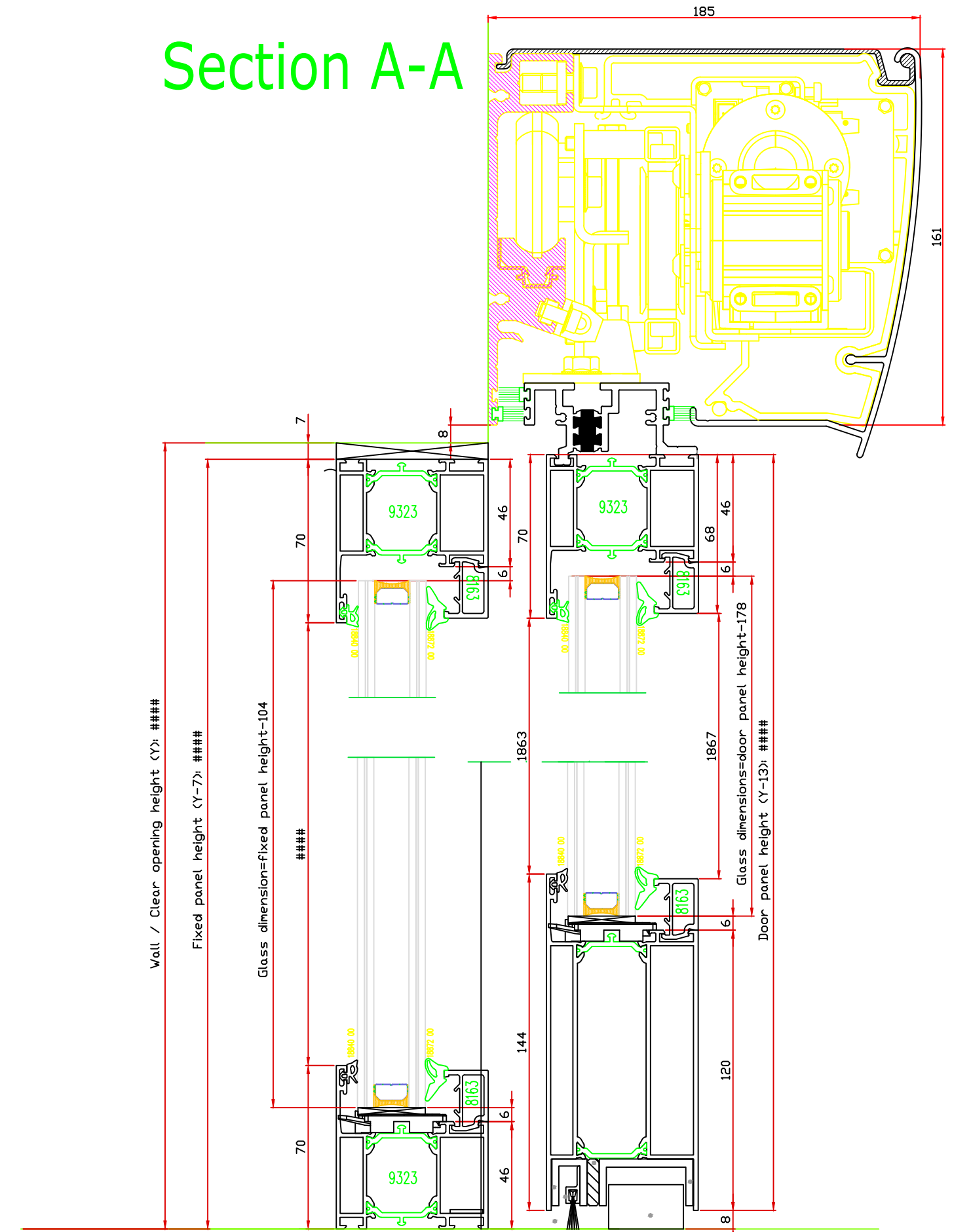


Section B-B



| | DESCRIPTION | TO FILL IN |
|---|----------------------|------------|
| X | Clear opening width | |
| Y | Clear opening height | |
| | | |
| | | |
| | | |
| | | |

Section A-A



| | | | |
|---------------------------------------------------------------------------------------------------|-------------|-------------------|--|
| Title: | | Drawing number: | |
| Order number: | Page no.: | Projectie ISO-128 | |
| Date: | Scale: | Revision number: | |
| Drawn by: | Paper size: | A: | |
| | | B: | |
| | | C: | |
| | | Copyright by KONE | |
| Smalle Zijde 20A Postbus 94 3900 AB Veenendaal Tel.: 0318 - 532333 Fax: 0318 - 532339 | | | |